



Apex 1818 Aluminium Channel

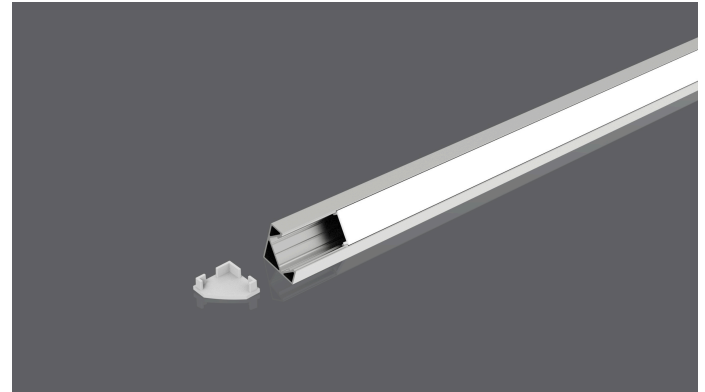
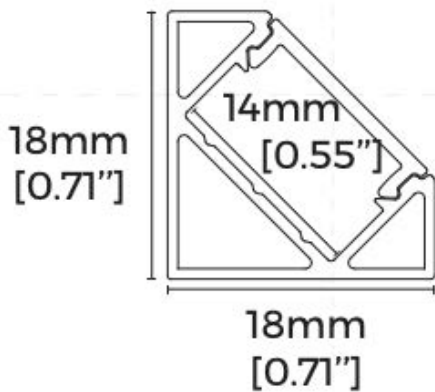
The APEX 1818 aluminium channel is supplied in 2.5m lengths and comes complete with white diffuser cover for consistent light effect

The APEX 1818 with its right angle format is designed to fit snugly into corners

It is a good option to use where a mix of horizontal and vertical illumination are required on surfaces

Channel is provided with 2x PC end caps

It can be used with a range of led strips but ideally with strips with narrow led spacing to maintain 'dot free' effect. Also to be used with led strips that are a maximum of 15mm in width



Model No NL_HC_APEX1818_PROFILE

Material AL6063-T5

Surface Processing Anodizing

Diffuser Opal Polycarbonate

Light Transmittance >16%

Heat Dissipation Max 13W/m

Accessories - sold separately

Mounting clip

NL_HCAPEX_FCSS

[4 pieces per set]



End caps

End caps [without hole]

NL_HC_APEX1818_ECH
[2 pieces per set]



End caps [with hole]

NL_HC_APEX1818_EC
[2 pieces per set]