

Linprof 70 Surface Profile White



The LINPROF70 profile can be suspended, surface ceiling or wall mounted

It comes standard as 2500mm length but can be cut to suit custom sizes

Supplied with easy fit magnetic end caps and PC diffuser to produce a homogeneous light effect

The profile is linkable in sections either as a linear straight run or with an assortment of angle joints

A range of led strips can be incorporated depending on type of application, overall length required and intensity of light needed



Model No NL_HC_LINP70_2.5_WH

Material AL6063-T5

Finish White

Wattage 25W/m

Voltage 24V

Diffuser Opal Polycarbonate

Heat dissipation Max 38W/m

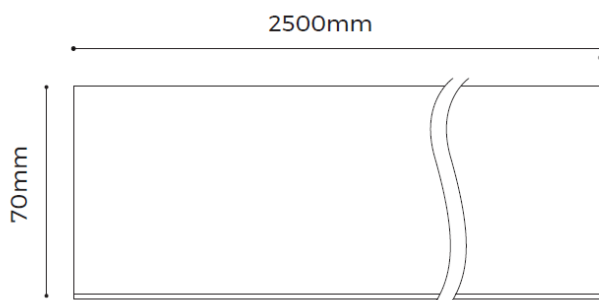
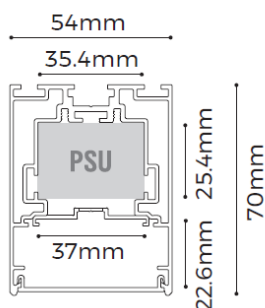
Transmittance >75%

Light Source LED Flexstrip (Excluded)

Beam width 2500mm

LED Driver Remote

Dimmable Dependant of driver chosen



Length - 2500mm