

Linprof 70 Surface Profile



The LINPROF70 profile can be suspended, surface ceiling or wall mounted

It comes standard as 2500mm length but can be cut to suit custom sizes

Supplied with easy fit magnetic end caps and PC diffuser to produce a homogeneous light effect

The profile is linkable in sections either as a linear straight run or with an assortment of angle joints

A range of led strips can be incorporated depending on type of application, overall length required and intensity of light needed



Model No

Black

NL_HC_LINPF70_2.5_BL

Silver

NL_HC_LINPF70_2.5_SI

Material

AL6063-T5

Finish

Black/Silver

Wattage

25W/m

Voltage

24V

Diffuser

Opal Polycarbonate

Heat dissipation

Max 38W/m

Transmittance

>75%

Light Source

LED Flexstrip (Excluded)

Beam width

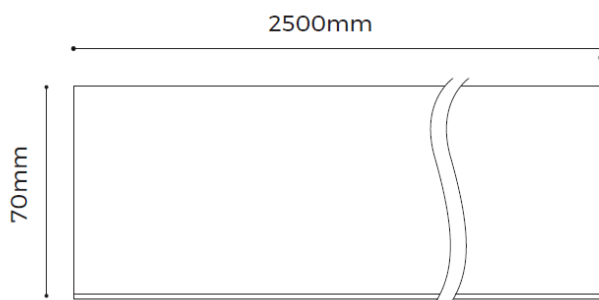
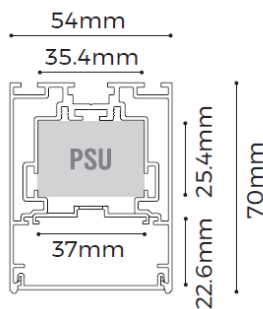
2500mm

LED Driver

Remote

Dimmable

Dependant of driver chosen



Length - 2500mm