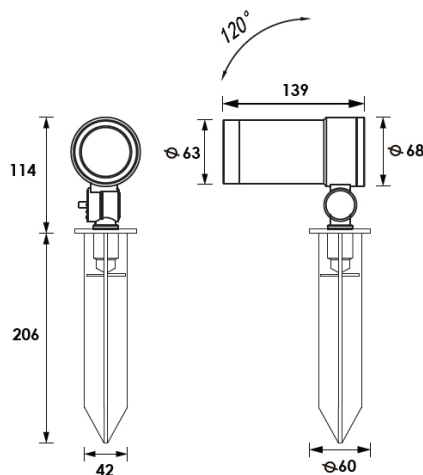


## Gloc Garden Spike Light 10W 24V [Black]



Finish	Black RAL 9005
Wattage	10W
Voltage	24V DC
Light Source	1 x 10W Nichia
CCT	3000K
Beam width	20°
LED Driver	Not included
Material	Aluminum

Gloc Garden Spike light - One step to the classy outlook of a garden. Spike lights can be used home garden or commercial setting garden or public, parks – to highlight & enhance planting/shrubbery and buildings, to create attractive glow.



Units in mms

CE IP66