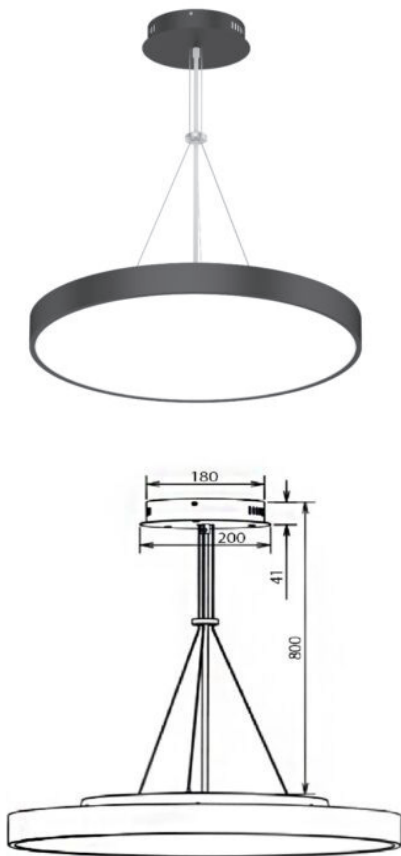


Moon Suspended Circular Panel [Black]



With wire harness suspension

The Moon Dali dimmable fixture for both hanging and surface mounting

With an integral Tridonic DALI dimmable driver

Flush opal diffuser for direct lighting. 10%

uplighting on the back and 90% downlighting to the front

3CCT adjustable with slide switch, prior to installation

Multiple installations – Option to suspend with extra harness suspension cables

Includes wire suspension kit

Lamp	LED SMD
Material	Aluminium/PC
Max Wattage	60W
Dimmable	Dali
Finish	Black RAL 9005
Voltage	AC200-240VAC
CCT	3CCT – [3000K/4000K/5700K]
CRI	≥80
Lumens	5700- 6660
Beam width	120°
LED Driver	Built in