



Met 20 Hi Brightness Mini Recessed LED Spot Light



The Met 20 hi brightness 1W mini recessed LED spot light, 3.2V 350mA. Aluminium power LED mini spot light with an IP43 rating. CE certified

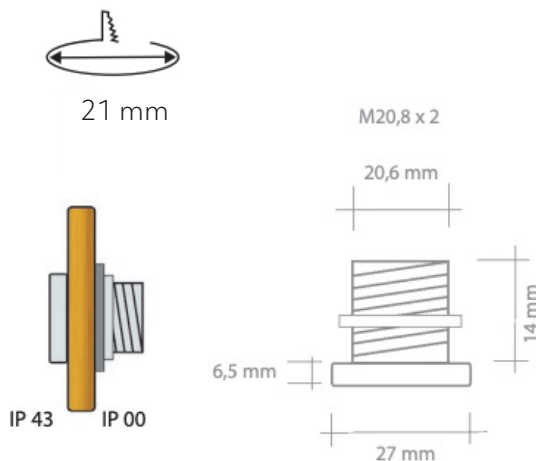
Ideal for cabinetry & recesses, fitting comes supplied with treading rear fitting ring or side mounted spring clips

350mA remote drivers supplied separately and fittings must be wired in series

In 3500K white or Amber
Narrow 10° beam or Wide 40° beam

Dimensions:
Pressure assembly into 21mm hole
Outer diameter 27mm

Finish	Aluminium
Wattage	1W
Voltage	3.2V
Light Source	1W LED inbuilt
CCT options	2700K / Amber
CRI	>80
Lumens	90 lm
Beam width options	10° / 40°
LED Driver	Not included
Dimmable	No



CE IP43