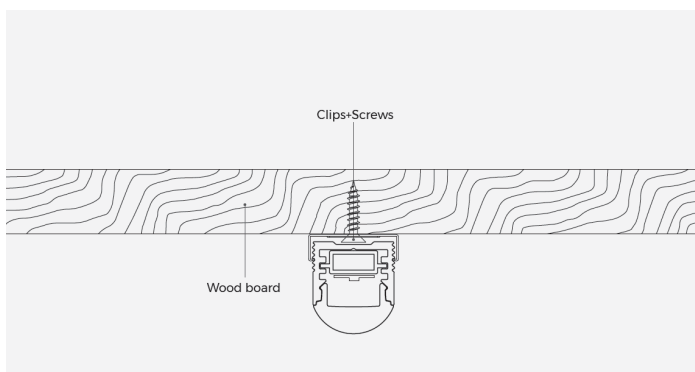
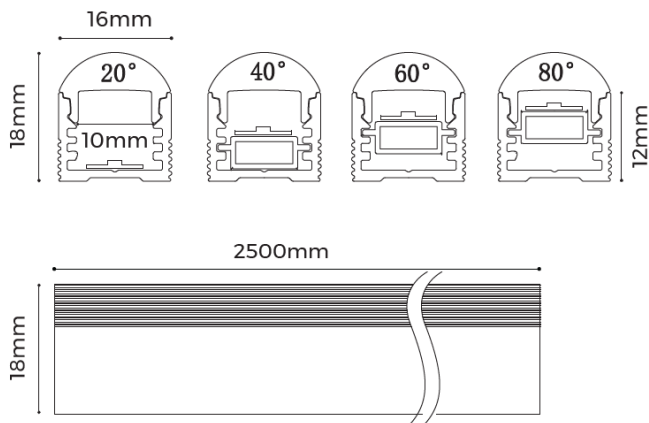


Lase 1612 Aluminium Channel



The LASE1612 profile and removable carrier allows a range of beam angles to be achieved [20°, 40°, 60° & 80°]

It is an ideal option for mounting onto a ceiling to minimize overspill and wastage of light beyond a defined horizontal area below [e.g. countertop or desk surface]



Model No **NL_LASE_2.5M_SILVER**

Material AL6063-T5

Surface Processing Anodized

Diffuser Opal Polycarbonate

Light Transmittance >85%

Max W tape 14.4W

Heat Dissipation

Accessories

End Caps

NL_LASE_ENDCAPS_NO_HOLE

End cap without hole
[Silver x2 pieces]



NL_LASE_ENDCAPS_HOLE

End cap with hole
[Silver x2 pieces]

