

Compass Downlighter With PIR



The Compass is a miniature recessed downlighter which comes with an inbuilt PIR sensor located within the footprint of the diffuser

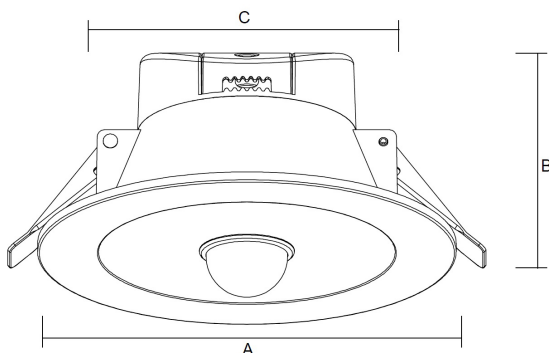
This PIR uses a fresnel which has a wide 120° detection angle. It has a 30 second delay time for switch off after last detection of movement

The Compass proves to be a simple energy saving solution for small back of house areas, eliminating the need for separate sensor & wiring labour

Perfect for use in public areas such as small corridors, lobbies & rest rooms

It also comes with an IP54 ingress protection rating

Finish	White RAL 9016
Wattage	10W
Voltage	AC220-240VAC
Light Source	LED SMD
CCT	3000K
CRI	≥80
Lumens	830
Beam width	80°
LED Driver	Built in
Dimmable	No
Material	Aluminium coated plastic



Product Dimensions

A - 115mm

B - 73mm

C - 87mm

Cutout - 90mm⊖

Built in PIR Sensor   IP54